

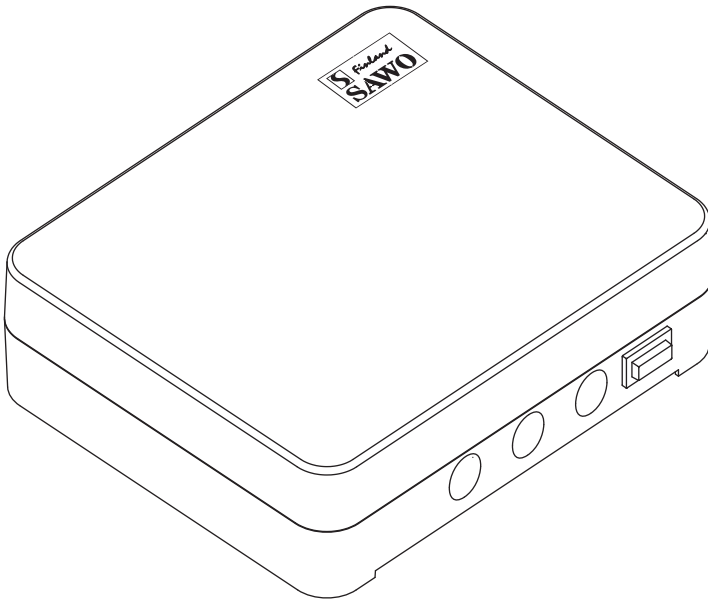


MANUAL

SAUNOVA 2.0

POWER CONTROLLER

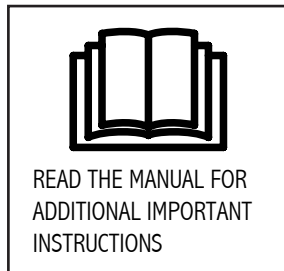
(SAU-PC-V2)



Not for use in the USA, Canada and Mexico.

ENGLISH

Introduction of the Saunova 2.0 Control 3
 Precautions 3
 Power Controller 4
 Control Unit to Heater 5
 Contactor Unit 6
 Sensors 6
 Sensor location with heaters mounted on the wall 7
 Sensor location with heaters mounted on the floor 7
 Technical Diagram 8
 Maximum Session Time 10
 Door Sensor/Switch 10
 Fan 10
 Remote ON 10
 The Power Controller Main Switch 11
 DIP Switch 12
 DIP Switch Functions 12
 Safety Switch 12
 Door Switch 12
 Session Time 12



Congratulations on your purchase of Saunova 2.0 Control Unit!

Saunova 2.0 Control Unit is developed to enhance your sauna bathing with a variety of different features. It can adjust temperature, humidity, ventilation and light in your sauna. The Saunova 2.0 Control Units are available on a separate or built-in mounting on the Power Controller.

The following information provides you with instructions on adjusting the settings of the control unit. Please, read this instruction manual carefully before using it. Familiarization of key functions will give you a more enjoyable sauna experience.

! Precautions

1. Only a qualified electrician is allowed to make electrical connections and repairs on the unit. Use original parts only.
2. Disconnect the Power Controller and the Contactor Unit from the electrical circuit before installation, opening the lid of the power controller or contactor unit and repair.
3. Check power supply rating before installation.
4. Check the correct location of the sensor in the installation section of the manual. It is very important to place the temperature sensor correctly as its closeness to the air ventilation cools down the sensor and may lead to overheating.
5. The power controller can be operated in a room temperature 0-40°C. Do not install it inside the sauna room!
6. Do not pour water in the control unit or clean it with a wet cloth. For cleaning purposes, use a cleaning cloth that has been only slightly moistened with a mild soapy solvent (dish detergent).

Power Controller

The Power controller or the separate control panel must not be located inside the sauna room or in places where temperature can exceed 40°C. It is protected against water splashes, however it should not get in contact with water. Mount the Power Controller in a dry location, outside the sauna room.

Install the Power Controller on the wall in vertical direction only, at least 30cm from the ceiling (refer to Fig.2).

Fig. 1

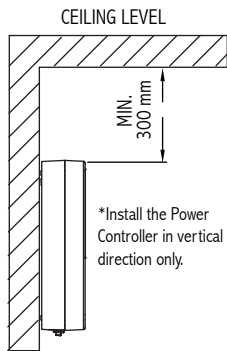
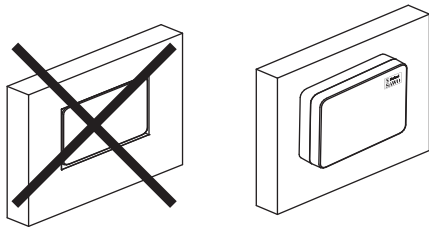


Fig. 2



WARNING

Do not embed the control unit into the wall, because it may lead to overheating of the unit and cause damage!

The heater is connected to the electrical network semi-stationarily with a H07RN-F rubber cable or its equivalent. The use of PVC-insulated cable as a connecting cable is prohibited due to thermal embrittlement. The maximum distance of the junction box from the floor is 500 mm, measured from the upper corner of the box.

Control Unit to Heater Connection Diagram

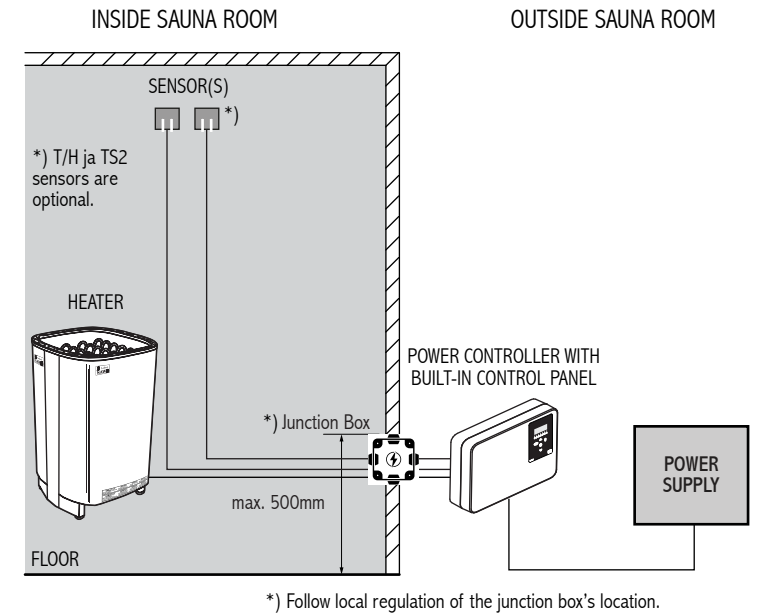
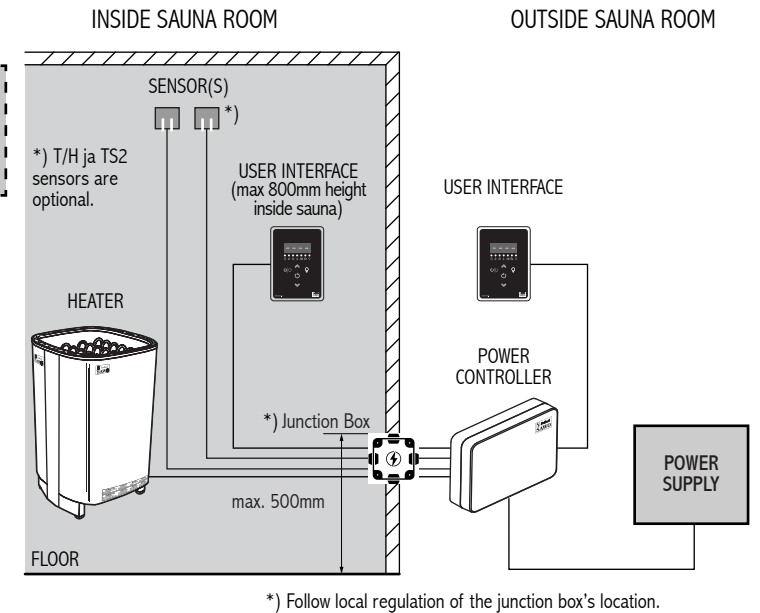
Fig. 3

NOTE!

Saunova 2.0 user interface can be installed either inside or outside the sauna room. Only one user interface can be used to control the heater.

NOTE!

If the Saunova 2.0 user interface is installed inside the sauna room, none of its components should not be installed higher than 800mm from the floor.

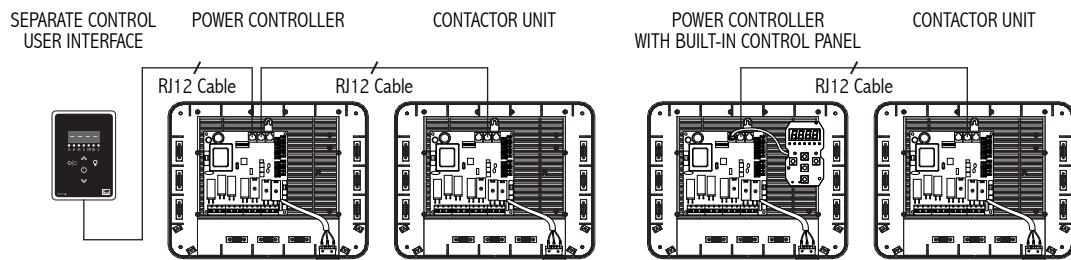


Contactor Unit

If the heater used is more than 9 kW, an additional contactor is needed. The contactor unit is linked to the main Power Controller with a RJ12 cable (Fig.4).

Follow the instructions that are supplied together with the contactor unit.

Fig. 4 Installation of separate control panel with power controller and contactor unit



Sensors

One or two sensors can be connected to the Power Controller. The first sensor measures the temperature, it is the sensor with temperature fuse and thermistor.

The second sensor, the optional bench sensor, is a temperature sensor or combined temperature humidity sensor. The combined sensor is capable of measuring the humidity as well as the temperature.

With two sensors it is possible to receive more accurate measurements from the sauna room.

If the heater is mounted on the wall or floor standing less than 200mm from the wall, the first temperature sensor needs to be mounted on the wall above the heater. Place the sensor 150mm from the ceiling (Fig. 5 & 6).

However, if the heater is more than 200mm from the wall, place the sensor to the ceiling, over the heater, as shown in the figure 7 & 8.

The optional second sensor should be mounted on the wall, opposite to the heater, minimum 30cm from the ceiling and minimum 130cm from the floor (fig. 5 & 7). It is designed to measure the bench temperature, so ideally place it close to the shoulder height of the sauna goers.

Do not place the sensors near the air ventilation. The closeness of the air vent cools down the sensor. Thus, an incorrect temperature is displayed and the heater may overheat (Fig.8).

Sensor location with heaters mounted on the wall

Fig. 5

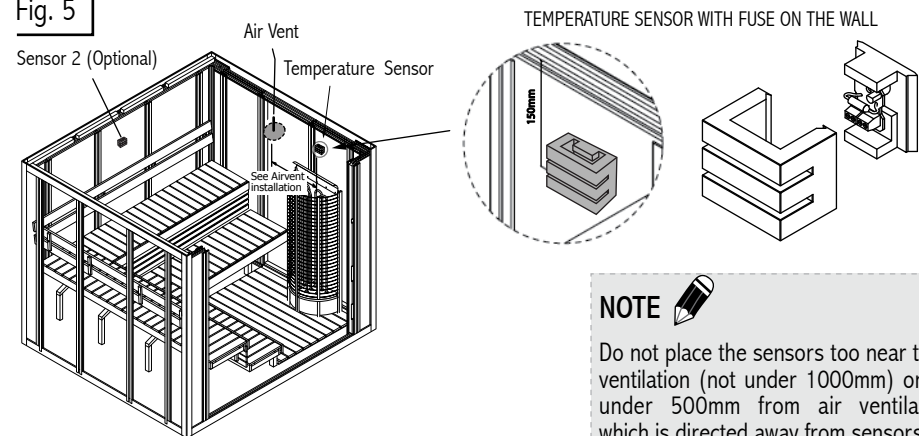
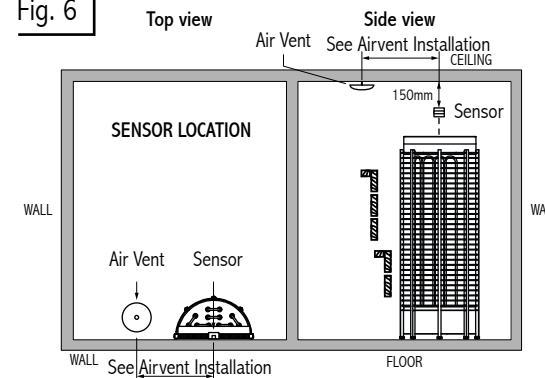


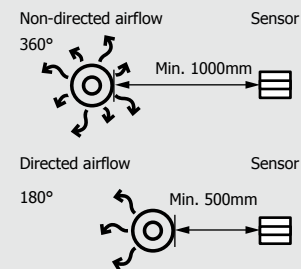
Fig. 6



NOTE

Do not place the sensors too near to air ventilation (not under 1000mm) or not under 500mm from air ventilation, which is directed away from sensors.

AIR VENT INSTALLATION



Sensor location with heaters mounted on the floor more than 200mm from the wall

Fig. 7

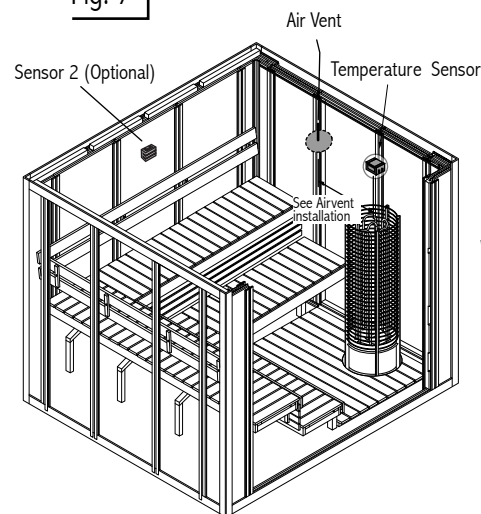


Fig. 8

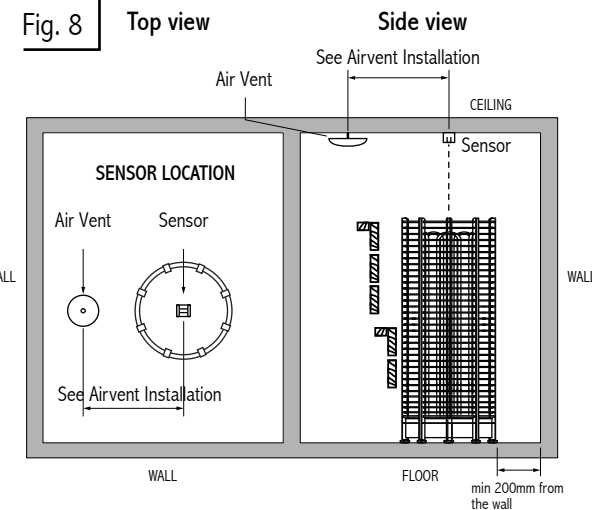
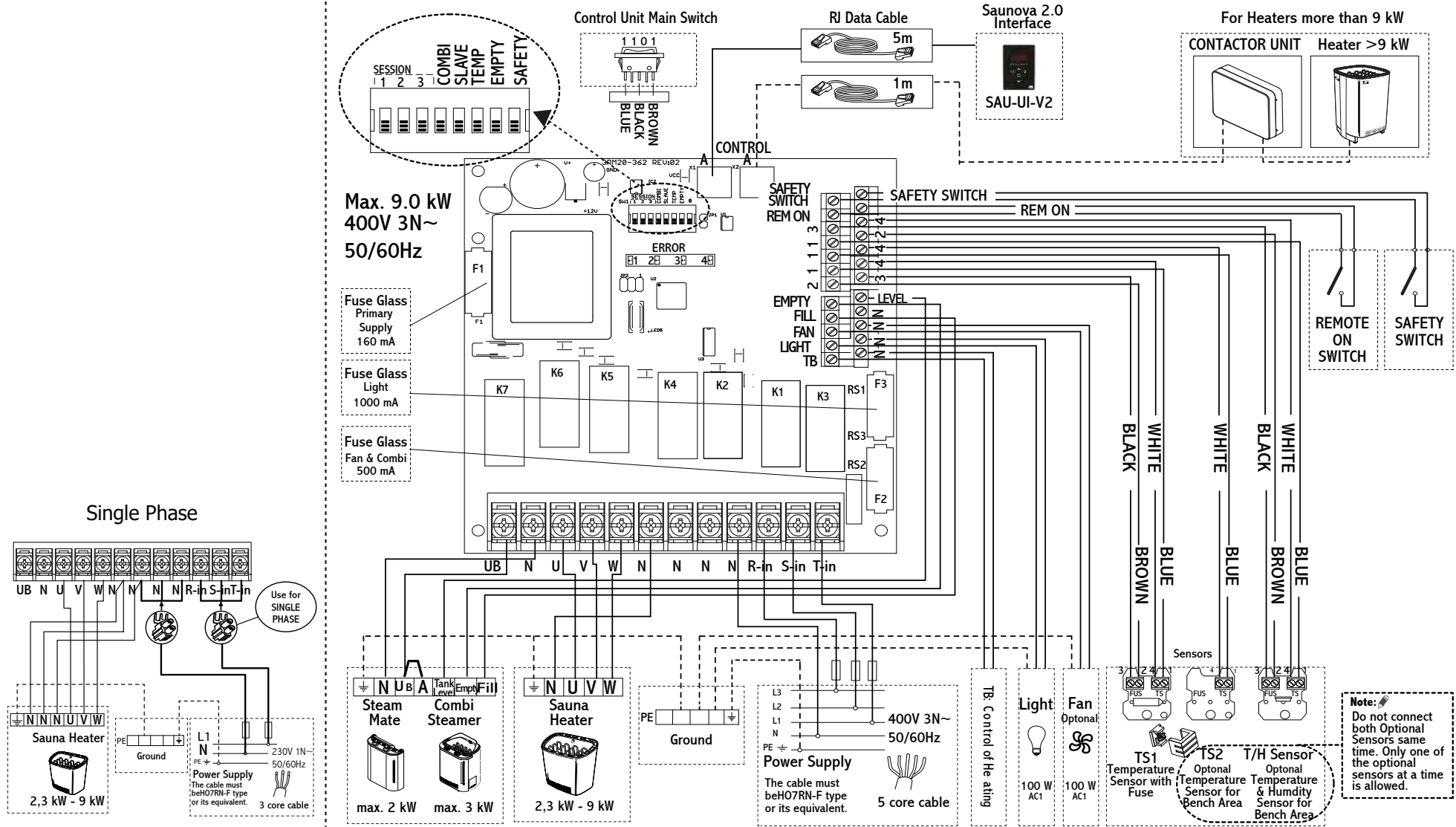


Fig. 9



Maximum Session Time

The maximum sauna session time depends on the purpose of the sauna. For domestic use, the total on-time of the sauna is limited to 6 hours. *)It includes pre-run time and the session time. The factory setting for the control unit is 6 hours.

For condominiums, hotels and similar locations, the operating period of the sauna heater is limited to 12 hours, including the pre-run time and the session time.

For public sauna, the operating period of the sauna heater can be either 18 or 24 hours. Please note, if the switches is set to

*) IEC 60335-2-53

Fig. 10

Sauna Type	Domestic sauna				Hotels, Condominiums		Public sauna	
DIP switch 1,2,3	001	010	011	000	100	101	110	111
Max. time	1h	2h	4h	6h	8h	12h	18h	24h
	Sauna on-time				Heater on-time		Session time	
Max. pre-run time	5h 15min-sauna 5h 45min-sauna				99h			

Door Sensor/Switch

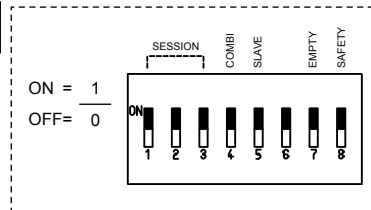
In other than household use, it is recommended to install door sensor. The door sensor disables all pre-run operations if the door is opened while the pre-run countdown is active.

The door sensor also ensures that the door is not open for long periods of time when the heater is on. If the heater is on and the door is open for more than 15minutes, an alarm and "oPEn" will be displayed to warn the user. The heater will be switched off automatically.

24 hours, it will be ON constantly. It needs to be continuously monitored.

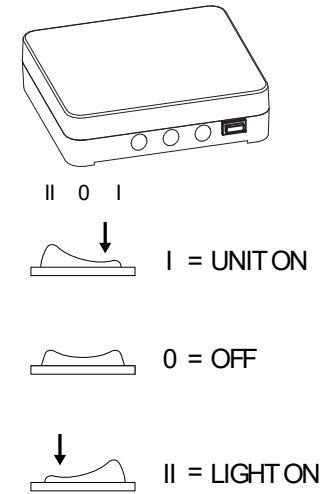
The maximum heater on-time is set by the switches on DIP switch in the power controller, Figure 11 (See also DIP switch session time settings in page 12). Only a qualified electrician can change the settings. The standards and regulations of the country where the control unit is installed must be followed when setting the DIP switch. Default time is 6 hours. See the Figure 10.

Fig. 11



The Power Controller Main Switch

The power controller switch can be found on the top end of the unit. Using this switch, you can isolate the electronics from the mains power supply.



Fan

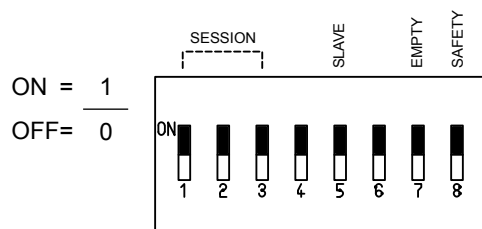
The fan function can only be activated if the fan feature is present on the control unit. Fan can be switched On/Off. The maximum power is 100 W with 230 VAC.

Remote On

Used for automated households. The remote signal is a potential free contact. The sauna heater switches on when contact is closed and remains on until contact is opened.

When the sauna heater is remotely controlled, settings use from previous session are applied. Other buttons are locked. Only the light, Fan and Steamer buttons can be set.

DIP Switch



DIP Switch Functions

DIP Switch #	Function	ON	OFF
1	Session time		
2	Session time		
3	Session time		
4	Combi mode	Combi mode ON	Combi mode OFF
5	Slave	Contactator	Controller
6	-	-	-
7	Empty	Combi heater with 1 signal (Wm) for water level detection	Combi heater with 2 signal (Empty & Level) for water level detection
8	Safety/door switch	*Safety switch	**Door sensor/switch

In DIP switch #8, the Safety Switch function is available when it is switched ON and Door Switch function when it is OFF. Both functions cannot work at the same time.

*Safety Switch

The safety switch function is for a triggering device that will cut the heater connection when a combustible foreign object is thrown to the heater.

When Safety switch is open, the Safety switch is considered to be close, and when Safety switch is closed, the Safety switch is considered to be open.

**Door Sensor/Switch

Install a door sensor and connect it to the control. A signal is channel to the control when the door is open. The control will switch OFF when the door is open during PRE-RUN. When the control is in ON MODE and the door was left open for more than 15mins, the control will switch OFF and turn ON again when the door is close.

When door sensor/switch is open the door is considered to be close, and when door sensor/switch is closed the door is considered to be open.

Session Time

Session time can be set according to user preference by session dip switches on the power controller board.

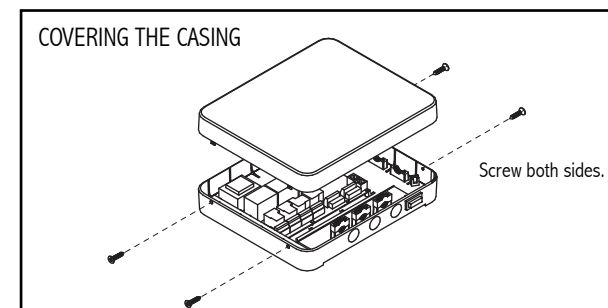
Session Time	Switch 1	Switch 2	Switch 3
1h	0	0	1
2h	0	1	0
4h	0	1	1
6h	0	0	0
8h	1	0	0
12h	1	0	1
18h	1	1	0
24h	1	1	1

Description	Power Rating	Remarks
Control		
Rated Power 3 Phases	9kWAC1 (3 x 3kW)	
Rated Voltage 3 Phases	400V 3N~	
Rated Power Single Phase	9kWAC1	
Rated Voltage Single Phase	230V 1N~	
Frequency	50/60Hz	
Switching capacity per phase	16A	
Sauna temperature range	10-110°C	
Maximum session time (preset)	1, 2, 4, 6, 8, 12, 18, 24h	Restrictions apply according to IEC/EN 60335-2-53
Dimensions SAUNOVA 2.0 Stypes		
User Interface	(W) 104 x (H) 147 x (D) 37	
Power Controller	(W) 270 x (H) 320 x (D) 90	
Weight SAUNOVA 2.0 Stypes		
User Interface	350g	
Power Controller	2300g	
Weight SAUNOVA 2.0 Btypes	2500g	

Description	Power Rating	Remarks
Steamer		
Rated Power 3 Phases	3kWAC1	
Rated Power Single Phase	3kWAC1	
Rated Voltage	230V 1N~	
Switching capacity	16A (3 Phases), 16A (1 Phase)	
Maximum sauna temperature for steamer operation	80°C or *55°C * Depending on the type of Sensor 2.	
Automatic water filling		Optional
Cabin Light		
Rating	230V 1N~, 100WAC1	Min 20W, max 100W.
Fan		
Rating	230V 1N~, 0.5A	Fan without starting capacitor.
Fuse		
Fuse F1	(32mA) is fuse for electronics	
Fuse F2	(1A slow) is fuse for cabin light	
Fuse F3	(500mA slow) is fuse for fan and automatic refilling combi.	

Description	Remarks
Sensor	
Temperature Sensor with fuse	
Bench Sensors	
Bench Temperature Sensor	Optional
Bench Combined Temperature - Humidity Sensor	Optional

Description	Power Rating	Remarks
Contactor Unit		
Rated Power 3 Phases	9kWAC1 (3x 3kW)	Additional Power expansion to maximum of 18kW
Rated Voltage 3 Phases	400V 3N~	
Frequency	50/60Hz	
Switching capacity per phase	16A	



CE UK CA IPX 4 EAC  T40 

Subject to change without notice.



www.sawo.com | info@sawo.com